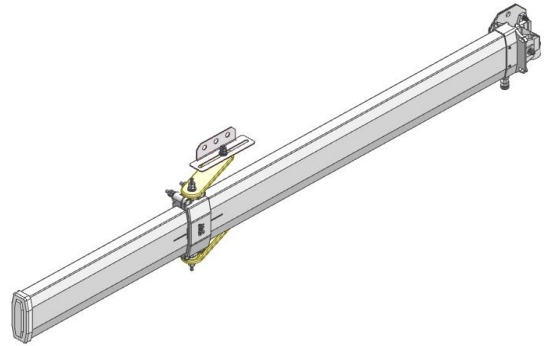


CPWW-YG-1212

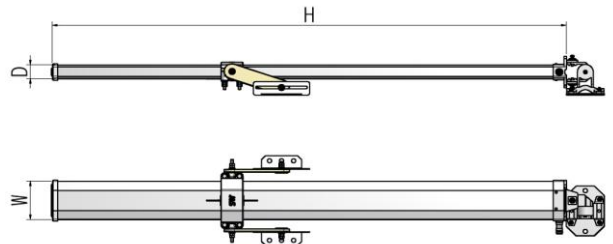
i. Electrical Specification

Frequency Range	819~960	1710~2690
Polarization	Vertical	Vertical
Band Width	141 MHz	980 MHz
Gain	≥ 12 dBi	≥ 12 dBi
Beam width	Horizontal	20 ~ 70°
	Vertical	40 ~ 90°
F-B ratio (Horizontal & Vertical)	10dB @ 180 ± 30°	15dB @ 180 ± 30°
VSWR	1 : 1.5	1 : 1.5
Impedance	50 Ω	
IMD (3rd)	≤ -140dBc @ 2x40dBm	
IMD (5th)	≤ -160dBc @ 2x40dBm	
Maximum input power	150 W	

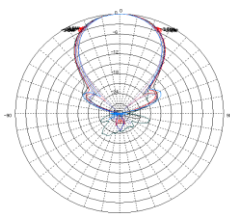


ii. Mechanical Specification

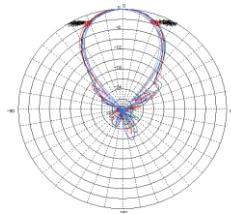
Radom Dimension (H x W x D)	100 x 40 x 1250 mm
Weight (Include bracket)	≤ 3 Kg
Connector Type	N-J (Female)
Withstand Wind Pressure	30 m/sec
Radome Material	ASA
Radome Color	Cool Gray 1C
Mechanical Down Tilt	Up, Down ± 30°
	Left, Right ± 6°
Temperature	-40 °C ~ 70 °C
Packing Size (H x W x D) 10SET	-
Packing Weight 10SET	-



iii. Radiation Pattern

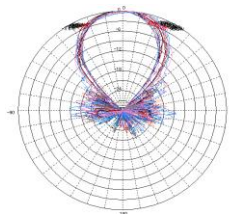


Horizontal Pattern

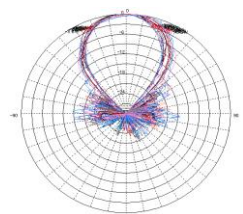


Vertical Pattern

Low Band



Horizontal Pattern



Vertical Pattern

High Band